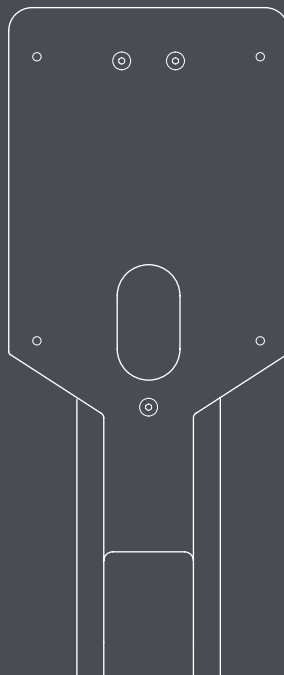


easee

- EN** User guide / Installation guide
- NO** Brukerveiledning / Installasjonsveiledning
- SV** Användarmanual / Installationsguide
- DA** Brugervejledning / Installationsmanual
- FI** Käyttöohje / Asennusohje
- DE** Benutzeranleitung / Installationsanleitung
- NL** Gebruikershandleiding / Installatiehandleiding
- FR** Mode d'emploi / Instructions d'installation
- IT** Manuale utente / Guida d'installazione
- ES** Manual de usuario / Guía de instalación

Easee Base

1-Way / 2-Way



English

Norsk	20
Svenska	38
Dansk	56
Suomi	74
Deutsch	92
Nederlands	110
Français	128
Italiano	146
Español	164

Table of contents

Introduction	
Introduction	3
Technical specifications	3
Safety instructions	4
Product overview	5
<hr/>	
Assembly instructions	
Adapter plate	7
1-Way	8
2-Way	10
Power Rail	12
<hr/>	
Practical details	
Practical details	19

IMPORTANT:

Read carefully before use. Keep for future reference.

Introduction

Easee Base

The Easee Base is a modular charging post for mounting up to four Easee Charging Robots.

With Easee Base, it is possible to choose between multiple configurations: 1-Way setup, where only one charger is mounted; 2-Way setup, with two chargers; and 4-Way setup, with up to 4 chargers installed.

With multiple configurations in one design, they share many common parts. Only a few parts are specific to each type of layout.

Conventions



This symbol indicates that the respective instructions must only be carried out by an authorised electrician.



This symbol indicates an immediate danger to life and health of individuals due to the effects of electrical energy. Non-observance of these instructions will result in serious damage to health - up to and including life-threatening injuries.

Technical specifications

General

Dimension (mm): H: 1500 x W: 160 x D: 80

Weight: 6.1-7.7 kg

Material: Aluminium and stainless steel (adapter plate/ mounting plate)

Finish: Powder coating

Colour: Black

IP degree: IP44

Insulation class: I (with Power Rail)

Impact resistance: IK10

Features

Adapter plate for c/c 160 mm foundation

45 degree rotation intervals (using the adapter plate)

Screws and nuts included

Adapter plate supports 22 mm bolts

Electrical connection

Connection via Power Rail requires the circuit to be RCD protected

It's possible to connect multiple charging posts in series

Cable size

Maximum support of 16mm² flexible conductors with ferrules and 25mm² solid conductors

Cable length between Power Rail and chargers: 135 cm

Conductor material: CU or ALU

Safety instructions

Read the entire manual carefully before installing and operating the product. Observe the following instructions:

Safety instructions for the installation

- This product shall only be installed, repaired or serviced by an authorised electrician. All applicable local, regional and national regulations for electrical installations must be respected.
- Danger to life due to high electrical voltage. Never make any changes to components or connecting cables.
- The installation must not be carried out in the vicinity of explosive atmospheres or in areas where there is a risk of flowing water.
- The product must be installed on a permanent location.
- The terminals in the backplate are energised when the power circuit is closed and must never be in direct contact or in contact with anything other than the plug-in electronics (Chargeberry).
- Depending on the type of installation, official authorisations may be required prior to installation.

Safety instructions for operation

- Danger to life due to high electrical voltage. Never make any changes to components or connecting cables.
- Always have the prescribed maintenance, installation and any repair work carried out by an authorised electrician and in accordance with local requirements.
- If a fire occurs, do not use water for extinguishing. Never clean the product with high pressure or running water.

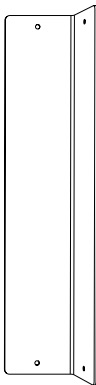
- Do not immerse the product in water or other liquids.
- It is advisable to have an extra protection around the post when mounted in an open parking space.
- Make sure that children do not play with the product.
- Do not use extension cords or unapproved adapters in combination with the product.
- Even if the Charging Robot is designed to withstand normal weather conditions, we recommend protecting it from direct sunlight or exposure to extreme weather conditions.
- Do not use the product near strong electromagnetic fields or in the direct vicinity of radio transmitters.

Common parts

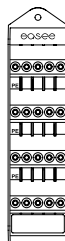
Column



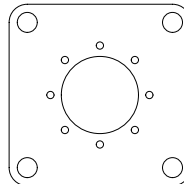
Side panel



Power Rail



Adapter plate



Ground connection plate



Screws, washers and nut



x1



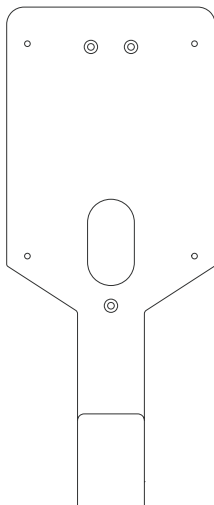
x4



x4

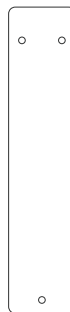
1-Way / 2-Way

Mounting plate



1-Way x1
2-Way x2

1-Way cover



Screws



1-Way
2-Way

x3
x6

x7
x8

Column

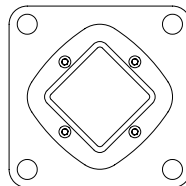
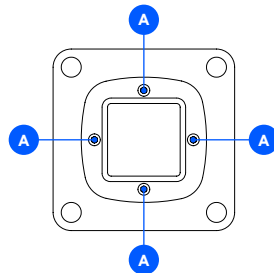
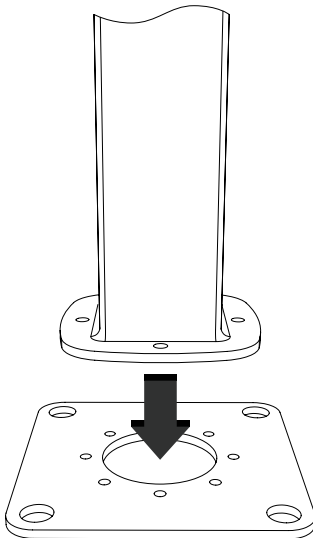
Adapter plate

Attach the foundation of the column to the adapter plate with 4 socket head screws. Recommended torque is 30-40 Nm.

INFO! It can be mounted in 45° increments to get the correct direction.

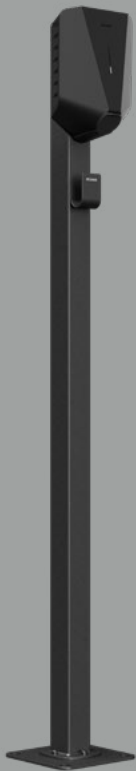


A



Column at a 45° angle

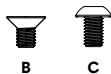
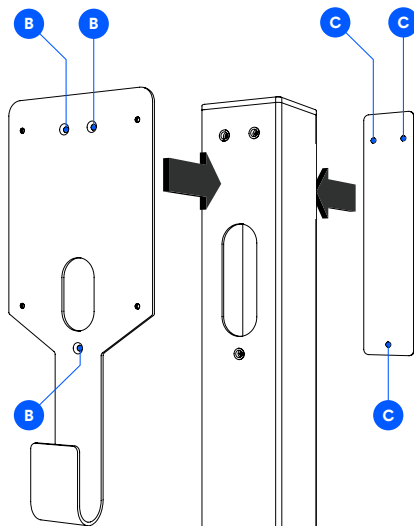
1-Way



1 1-Way Plate and cover

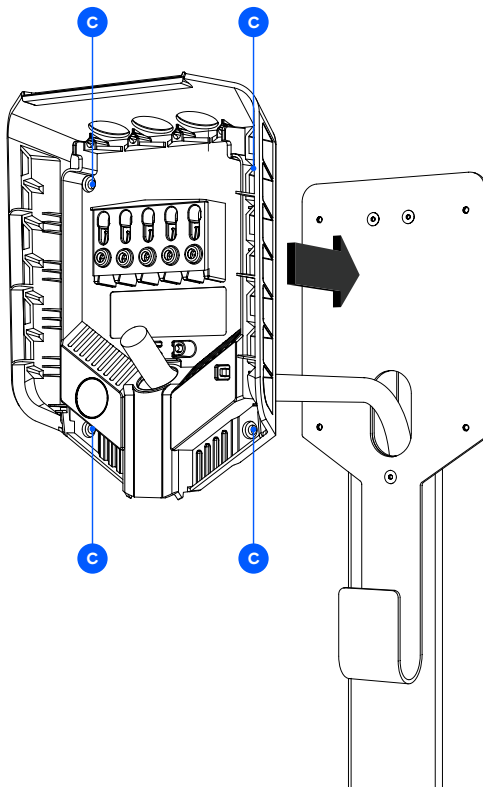
Attach the mounting plate with 3 flat head screws and the cover with 3 rounded head screws.

NOTICE! Make sure the top end of the column is sealed with a plastic cap.

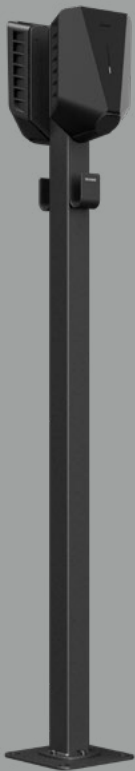


2 ^{1-Way} Backplate

Thread the cable through the hole in the column and the Easee charger backplate before attaching it with 4 rounded head screws.



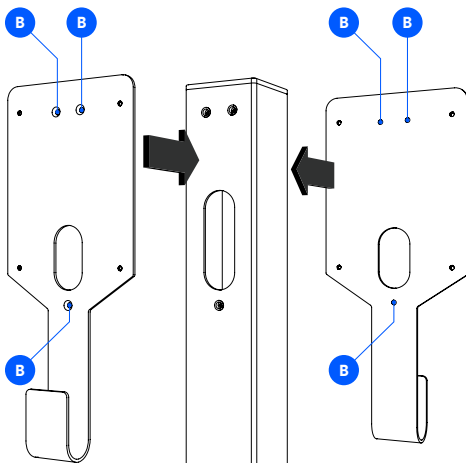
2-Way



1 2-Way Plates

Attach the mounting plates to the column with 3 flat head screws each (6 screws total).

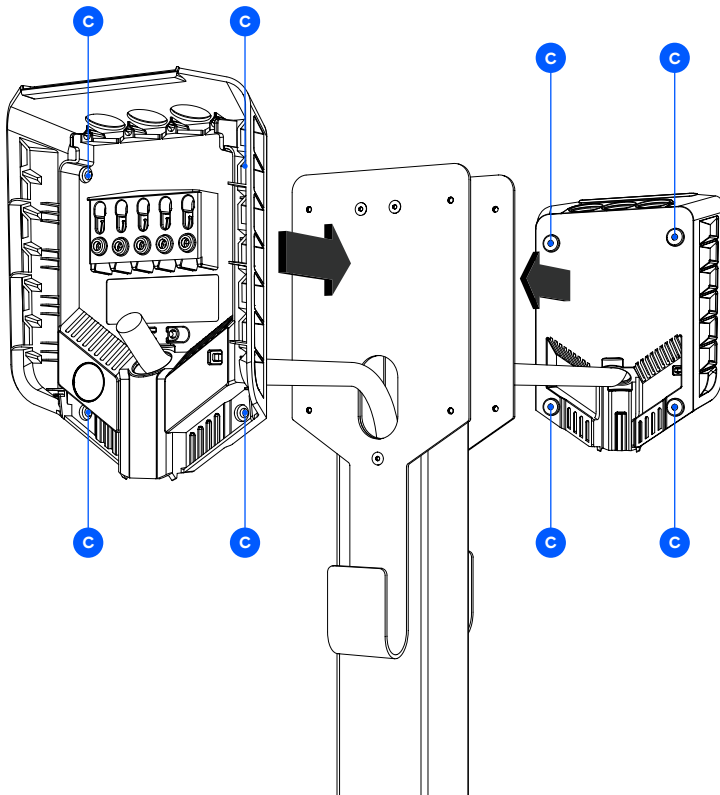
NOTICE! Make sure the top end of the column is sealed with a plastic cap.



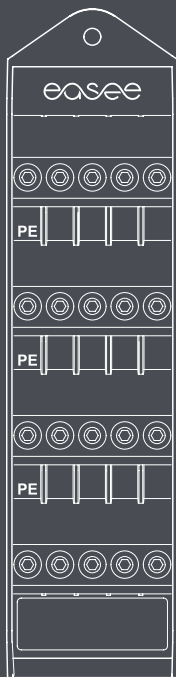
2

2-Way Backplates

Thread the cables through each hole in the column and the Easee chargers backplates before attaching them with 4 rounded head screws (8 screws total).



Power Rail



Power Rail

Before connecting

The Power Rail is a connection box that allows multiple charging posts to be connected in series. Connection via Power Rail requires the circuit to be RCD protected.

Please pay attention to the earthing system of the charging post, which is described carefully in the following pages.



WARNING! The Power Rail is a product to be installed by an authorized electrician, and a declaration of conformity must always be provided upon completion by your installer.



WARNING! Turn off the power before beginning the wiring. Use extreme caution and follow instructions carefully.

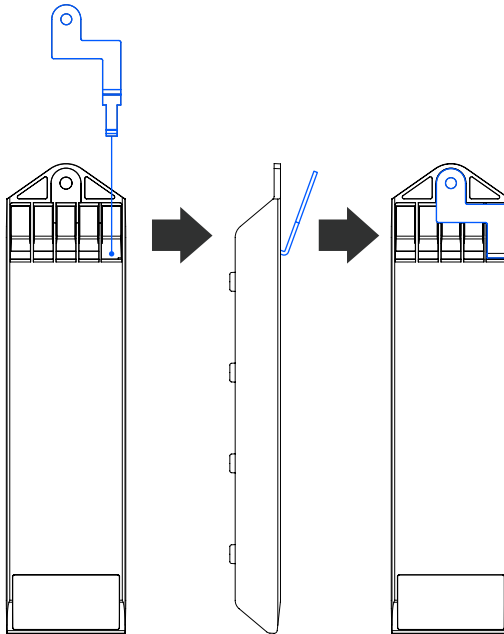
1

Power Rail

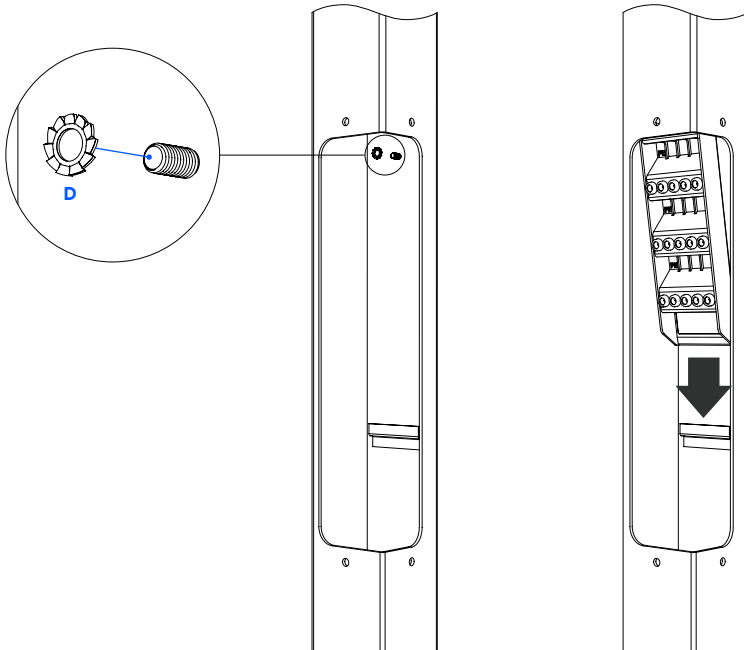
Ground connection plate

Before installing the Power Rail make sure to apply the ground connection plate. The plate is essential for connecting the post to the protective earth (PE).

1. Make sure the top PE terminal screw is open, then wedge the end of the plate into the terminal from the back. The ground connection plate should lie flat to the plastic housing.



2. Insert the serrated washer on the rod inside the column. It should be placed between the metal column and the Power Rail.
3. Slide the Power Rail with the ground connection plate inside the column and latch the bottom of the rail into the catch.

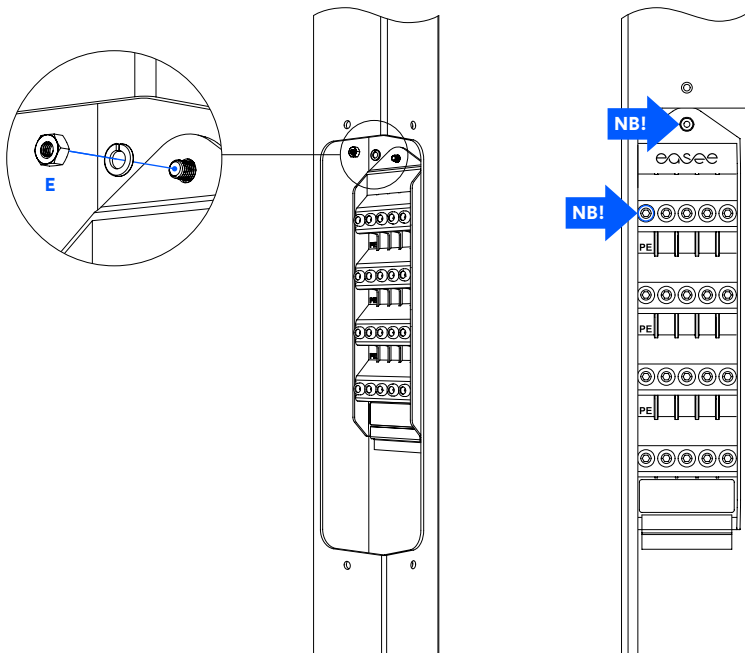


D

4. Fasten the grounding nut with the spring washer on the rod.

NOTICE! In order to complete the PE connection, the grounding nut has to be fastened and the top PE terminal screw has to be tightened (regardless of whether there is a wire in it or not).

Important! Do not forget this step!

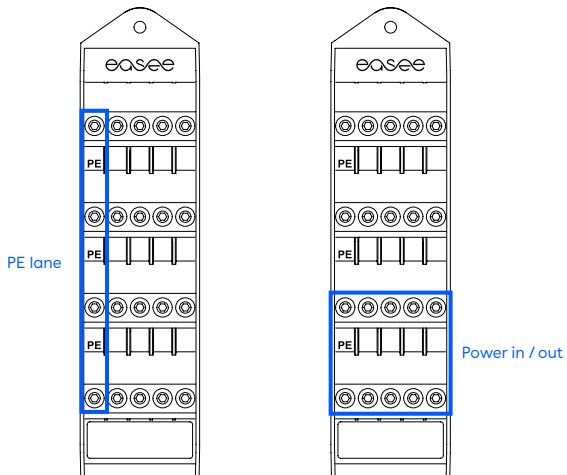


2 Power Rail Terminals

The ground connection plate connects the entire leftmost lane to the metal column, so it is very important that this lane is **only** used for PE connections.

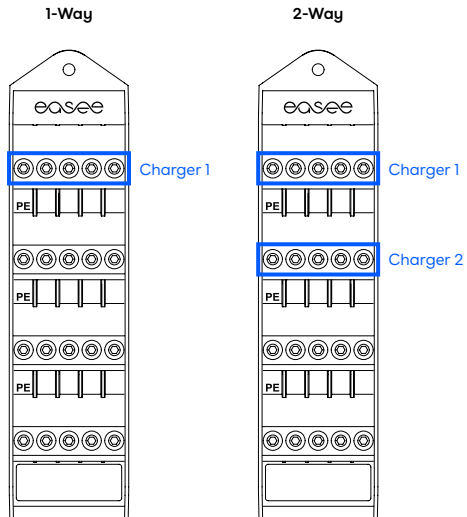
We recommend using the two lower terminal sets for the main power cables.

One set of terminals is used for power in and the other is used for power out, if you want to connect another charging post on the same cable. Wire size up to 25mm² ALU and CU.



We recommend using the two upper terminal sets for the charger cables.

For a single charger, only one set of terminals is used, and for two chargers, both sets of terminals are used. Wire size up to 6mm².



3 Power Rail Wiring

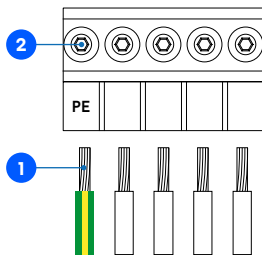
1. Strip the individual wires by 12 mm. If the cable has flexible conductors, it is recommended to use ferrules on stranded wires. Use correct tools to press them.
2. Tighten the screw terminal with a torque of 5 Nm.

NOTICE! Dielectric grease must be added when using ALU conductors.

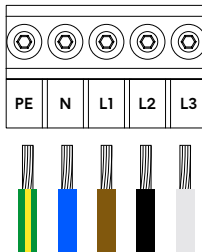
NOTICE! When connecting multiple backplates in parallel, each screw terminal serves as a coupling point for adjacent backplates. All backplates must be connected with the same phase sequence. External junction boxes or flat cables can be used if it is more convenient.

NOTICE! It's recommended to follow the existing colour codes used in the installation. Depending on national standards, the colours of the cables can vary from the illustrations. The illustrations in this manual follow the IEC 60446 standard.

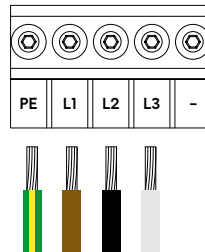
NOTICE! Before turning on the power, make sure the wires are properly connected and tightened. Test this by pulling on each wire.



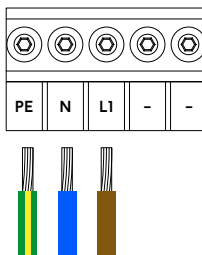
TN/TT 3-phase
(230/400 V)



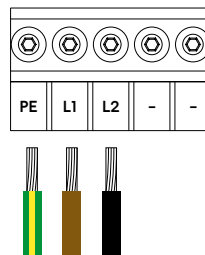
IT/TT 3-phase
(230 V)



TN 1-phase
(230 V)



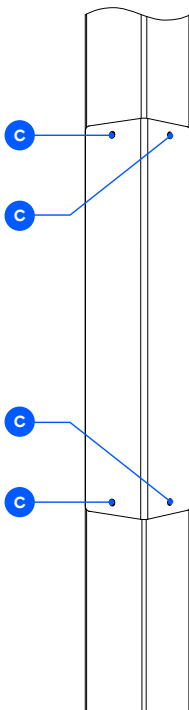
IT/TT 1-phase
(230 V)



4 Power Rail

Side panel

After connecting all wires to the Power Rail, it is time to mount the side panel with the 4 rounded head screws.



Practical details

Warranty

The device is free from material defects and is in accordance with laws and regulations for consumer protection in the country where the product is purchased or where the consumer lives. All correctly installed Easee hardware is covered by our 3 years* limited warranty.

*Some countries may have extended warranty.

Foundation

This charging post usually needs a mechanical foundation to be installed. The adapter plate is compatible with most c/c 160 mm foundations.

In some situations, it is also possible to use the smaller base of the column directly without the adapter plate, in this case using a 80 x 80 center to center footprint.

Screws

For all the flat and rounded head screws we recommend 7-9 Nm of torque.

Returns and complaints

Contact your distributor or Easee Customer Support regarding the return and complaint of your product.

Customer support

Download the latest manuals, find answers to frequently asked questions and useful documents and videos for your product at [easee.support](https://www.easee.com/support).

THIS DOCUMENT CONTAINS INFORMATION THAT IS SUBJECT TO CHANGE WITHOUT NOTICE.

The latest version of this publication can be downloaded at <http://easee.support>

No part of this publication may be reproduced or transmitted in any form or by any means, electronic or mechanical, including, but not limited to, copying, recording, retrieving data, or computer networks without the written permission of Easee AS.

Easee and all other Easee product names and slogans are trademarks or registered trademarks of Easee AS. Easee products can be protected by one or more patents.

All other products and services mentioned may be trademarks or service marks of their respective owners.

Illustrations of the product and user interface are exemplary and may differ from the actual appearance.

November 2022 – Version 3.02

© 2020 by Easee AS. All rights reserved.

Contact details

Easee AS
Grønseveien 19
4313 Sandnes, Norway
Org. nr: 920 292 046

You can find additional contact details for your country at easee.com.



easee

Easee AS
Grenseveien 19
4313 Sandnes, Norway
www.easee.com